

SPLITTER SDQ508

PRODUCT DESCRIPTION

Splitter SDQ508 is designed for splitting 5 input lines (4 SAT and 1 terrestrial TV) into 4 paths. The splitter meets shielding requirements of class A according standard EN50083-2. The splitter is intended for indoor use only.

SAFETY INSTRUCTIONS

Installation of the splitter must be done according IEC60728-11 and national safety standards. Any repairs must be done by a qualified personnel.

MOUNTING

The splitter must be fixed with steel screws Ø 4-5 mm. The screws are not included in a package. Shields of cables must be connected to main potential equalization bus.

OPERATING

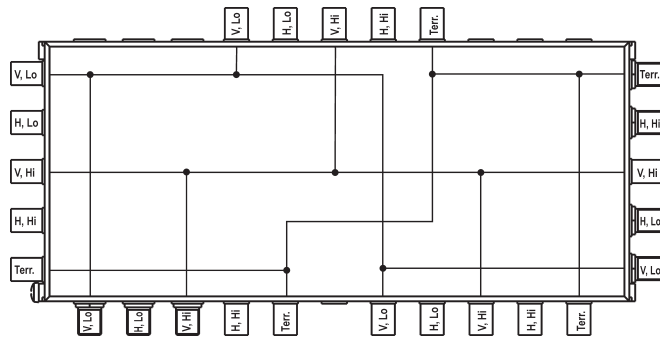
Splitter SDQ508 consists of 5 highly isolated splitters for every input line. Splitters distributes signals into 4 equal parts, maintaining line matching properties and isolation between different paths.

Connectors on splitter can accept cables with central pin diameter up to 1.2 mm.

Any terrestrial TV and vertical polarization line path are transparent for DC, but limits must be maintained.

Horizontal polarization lines can be used for network powering and unacceptable interaction between power supplies in different branches can take place. To avoid such interaction DC switches are inserted into horizontal polarization paths according to the next diagram.

For V lines (14 V) and Terrestrial TV



For H lines (18 V)

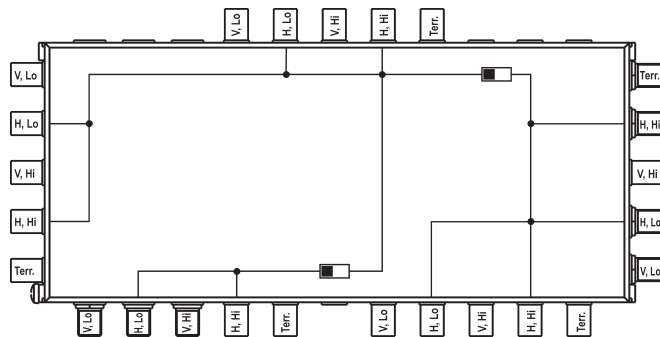


Figure 1. DC pass diagrams

TECHNICAL CHARACTERISTICS

| | | |
|-----------------------------|---------------|--------------------------------------|
| Frequency range | SAT IF | 950-2400 MHz |
| | Terr. TV | 5-862 MHz |
| Through loss | SAT IF | 8 dB |
| | Terr. TV | 8 dB |
| SAT inputs decoupling | SAT IF | 30 dB |
| | Terr. TV | 30 dB |
| DC pass through | V lines | 0.5 A max. |
| | H lines | 2 A max. (1 A max. through one line) |
| | Terr.TV lines | 0.1 A max. |
| Return loss | | > 10 dB |
| Operating temperature range | | -20° ÷ + 50° C |
| Dimensions/Weight (packed) | | 267x135x30 mm/0.7 kg |



This product complies with the relevant clauses of the European Directive 2002/96/EC. The unit must be recycled or discarded according to applicable local and national regulations.



Equipment intended for indoor usage only.



Functional grounding. Connect to the main potential equalization.



This product is in accordance to following norms of EU: EMC norm EN50083-2, safety norm EN IEC62368-1, RoHS norm EN50581.



This product is in accordance with Custom Union Technical Regulations: "Electromagnetic compatibility of technical equipment" CU TR 020/2011, "On safety of low-voltage equipment" CU TR 004/2011.



This product is in accordance with safety standard AS/NZS 60065 and EMC standards of Australia.