

Product description

DIN rail holder ID001 is intended for mounting on the base plate BD001.

Safety instructions

Read and follow safety instructions of each modules, which are mounted on the base plate BD001.

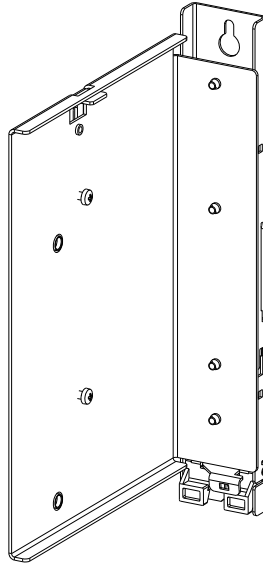
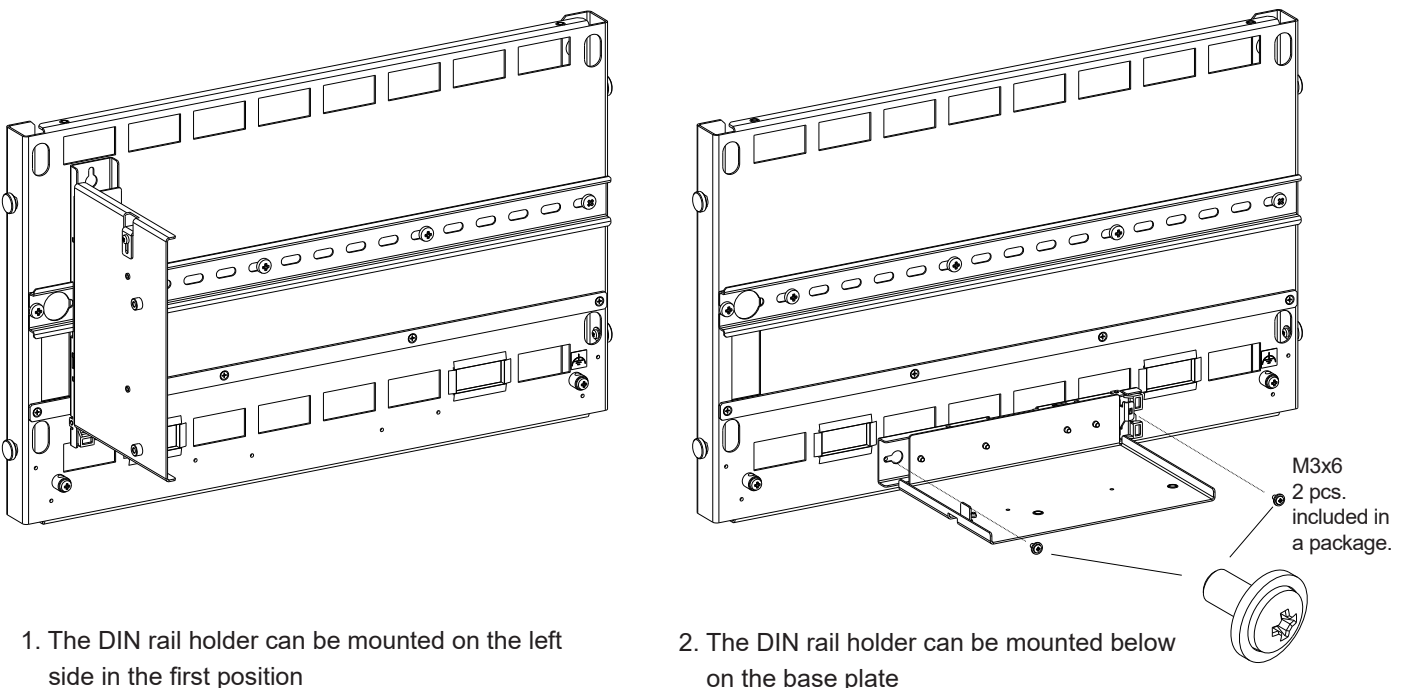


Figure 1. External view of DIN rail holder ID001



1. The DIN rail holder can be mounted on the left side in the first position

2. The DIN rail holder can be mounted below on the base plate

Figure 2. Mounting positions of the DIN rail holder on the base plate BD001

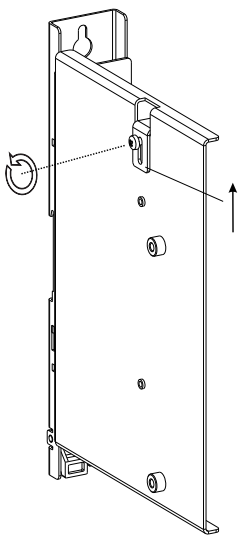


Figure 3.1 Lift the fixing arm

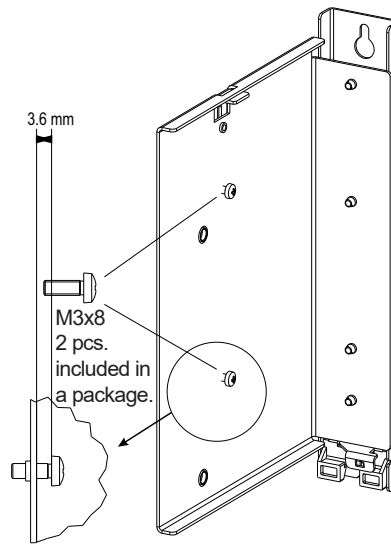


Figure 3.2 Set the fixing screws

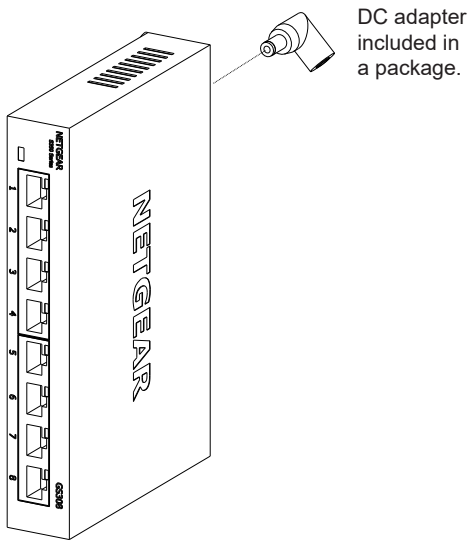


Figure 3.3 Insert DC adapter and place GS308

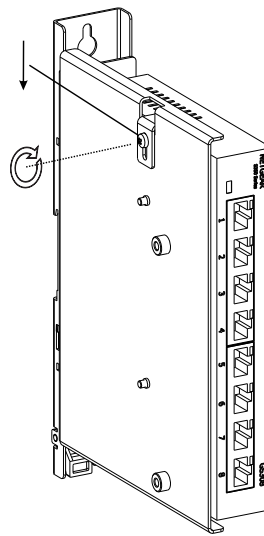


Figure 3.4 Pull down and fix the fixing arm

Figure 3. Mounting of the ethernet switch NeTgear GS308 on ID001

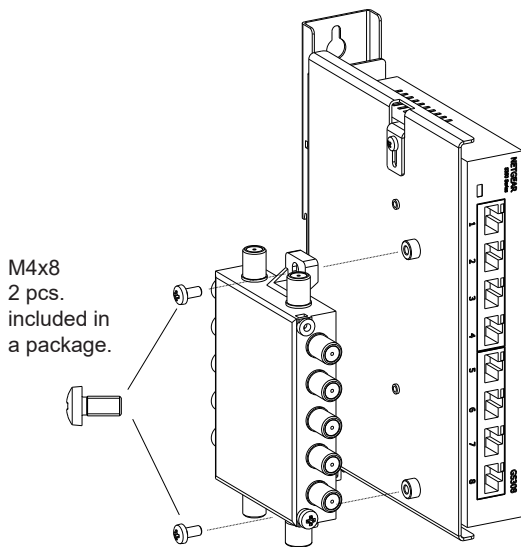


Figure 4.1 SRM522 can be mounted on the left side of ID001

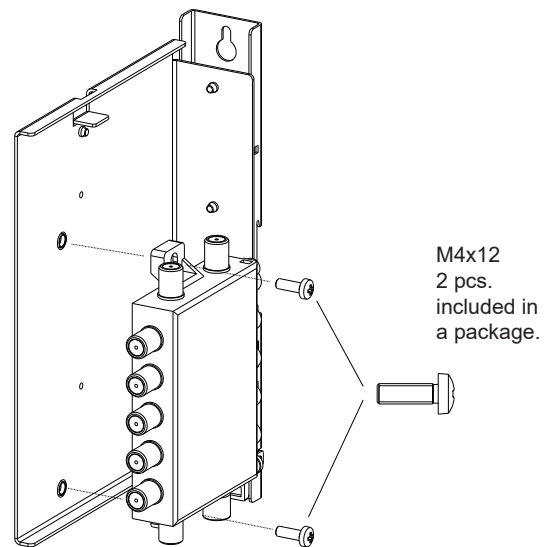


Figure 4.2 SRM522 can be mounted on the right side of ID001

Figure 4. Mounting of the SRM522 series dSCR multiswitch