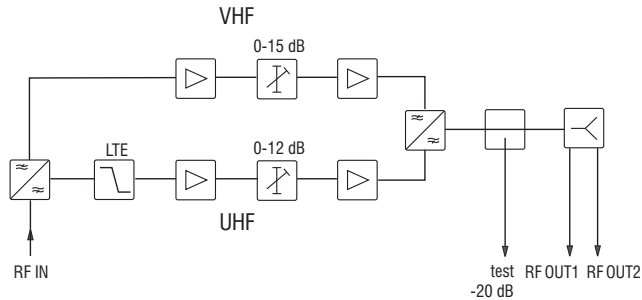


Installation instructions

Read the product description and safety instruction first.
 Connect 75 Ω load to RF OUT connector, if one of them is not used (except test point connector).
 Mount the amplifier as described in chapter "Safety instructions".
 Gain of every sub-band can be be adjusted with screwdriver. The gain increases by turning regulators clockwise.

Technical characteristics

Frequency range	VHF 88-230 MHz, UHF 470-790 MHz
Outputs number	2
Gain	26 dB
Gain adjustment	VHF 0 + -15 dB, UHF 0 + -12 dB
Maximal output level	IMD3=60 dB (DIN45004B) 107 dBμV, IMD3=60 dB 104 dBμV
Input and output return loss	> 10 dB
Noise figure	VHF < 3 dB, UHF <3.5 dB (700 MHz)
Test point	-20 dB
Outputs decoupling	> 18 dB
Supply voltage limit values, power consumption	198-250 V~ 50/60 Hz 3.5 W
Operating temperature range	-20 °C + +50 °C
Dimensions/Weight (packed)	133x63x39 mm/0.36 kg



- Caution (mark on rear side).
- Risk of electric shock (mark on rear side).
- This product complies with the relevant clauses of the European Directive 2002/96/EC. The unit must be recycled or discarded according to applicable local and national regulations.
- Equipment intended for indoor usage only.
- Equipment is double insulated from the mains.
- The device has integrated LTE filter.
- This product is in accordance to following norms of EU: EMC norm EN50083-2, safety norm EN IEC62368-1 and RoHS norm EN50581.
- This product is in accordance with Custom Union Technical Regulations: "Electromagnetic compatibility of technical equipment" CU TR 020/2011, "On safety of low-voltage equipment" CU TR 004/2011.

Apartment amplifier HS018L

Product description

Apartment amplifier is intended to amplify TV and FM radio signals in VHF and UHF bands. UHF sub-band of the amplifier has integrated not less than 30 dB LTE signal suppression filter. This amplifier is designed for indoor use only.

Safety instructions

Installation of the amplifier must be done according IEC60728-11 and national safety standards. The amplifier is powered from mains 230 V~. This voltage is dangerous to life. Any repairs must be done by a skilled personnel. The amplifier is double isolated from the mains 230 V~. To avoid the electric shock follow these instructions:
 Do not remove the cover of the power supply section, without disconnecting the unit from the mains supply.
 Do not plug the amplifier into the mains supply if the power cord or plug are damaged.
 Do not plug the amplifier into the mains supply until all cables have been connected correctly. The mains socket must be easily accessible.
 The amplifier shall not be exposed to dripping or splashing water.
 Avoid placing amplifier next to central heating components, near highly combustible materials and in areas of high humidity. If the amplifier has been kept in cold conditions for a long time, keep it in a warm room no less than 2 hours before plugging into the mains.
 Do not insert any objects into ventilation openings.
 The ventilation should not be impeded by covering the ventilation openings with items, such as newspapers, table-cloths, curtains.
 Mount the amplifier in vertical position with power supply located on the left. The amplifier must be fixed with steel screws Ø 3.5-4 mm. The screws are not included in a package. Shields of cables must be connected to main potential equalization bus.
 From top, front and bottom of installed amplifier must be at least 10 cm free space.

External view and operating controls

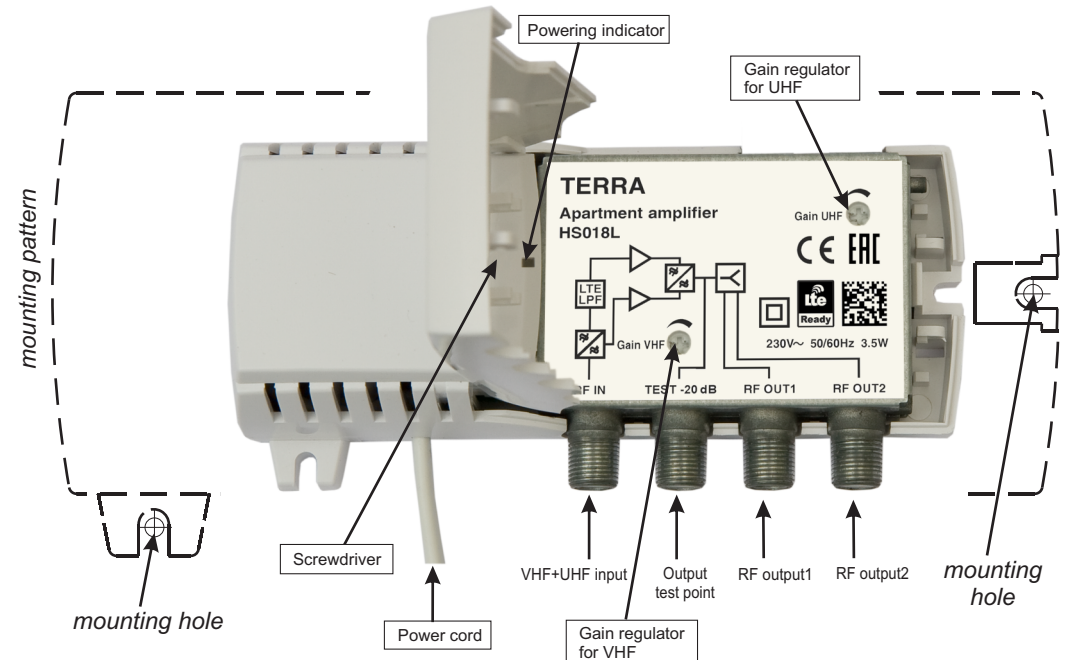


Figure 1. External view of the amplifier and operating controls