

Application diagrams

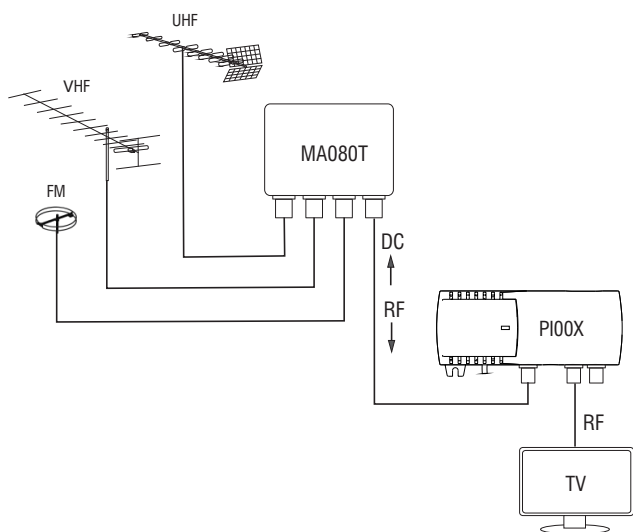


Figure 2. Recommended to use TERRA power supplies PI008, PI011.

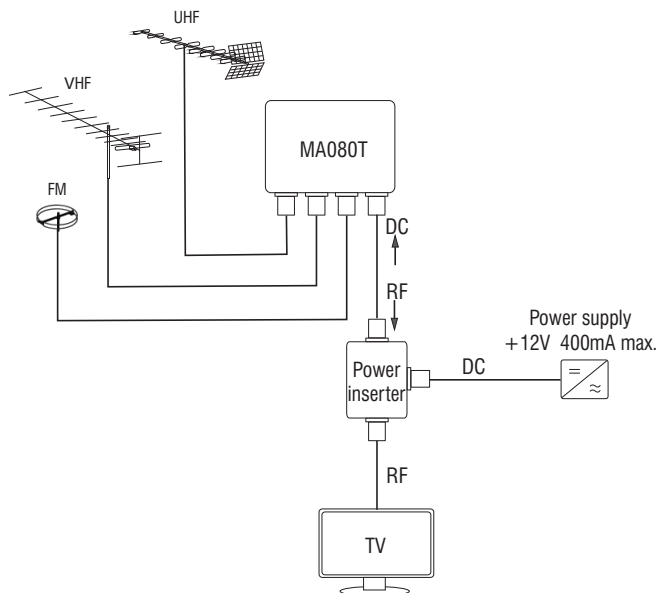






Figure 3. Application diagram using other power supplies 12 V 400 mA max., connected together with power inserter.

Technical characteristics

Type		MA080T	MA081T	MA082T
Gain, typical	FM (88-108 MHz)	20 dB	20 dB	20 dB
	VHFIII (174-230 MHz)	20 dB		
	UHF (470-694 MHz)	30 dB 	2 x 30 dB* 	30 dB 
Number of inputs		3		2
Noise figure, UHF at 600 MHz		VHF 5 dB; UHF 3 dB		
Maximal output level		IMD3=60 dB (DIN45004B) 108 dBμV, IMD3=60 dB 105 dBμV		
Gain control		VHF 0 ÷ -12 dB; UHF 0 ÷ -15 dB		
Return loss		> 10 dB		
Supply voltage, current consumption		12 V  60 mA		
Operating temperature range		-20° ÷ +50 °C		
Dimensions/Weight (packed)		89x107x43 mm/0.18 kg		

* both inputs are filtered



This product complies with the relevant clauses of the European Directive 2002/96/EC. The unit must be recycled or discarded according to applicable local and national regulations.



The device has integrated LTE filter.



This product is in accordance to following norms of EU: EMC norm EN50083-2, safety norm EN IEC62368-1 and RoHS norm EN50581.



This product is in accordance with Custom Union Technical Regulations: "Electromagnetic compatibility of technical equipment" CU TR 020/2011, "On safety of low-voltage equipment" CU TR 004/2011.