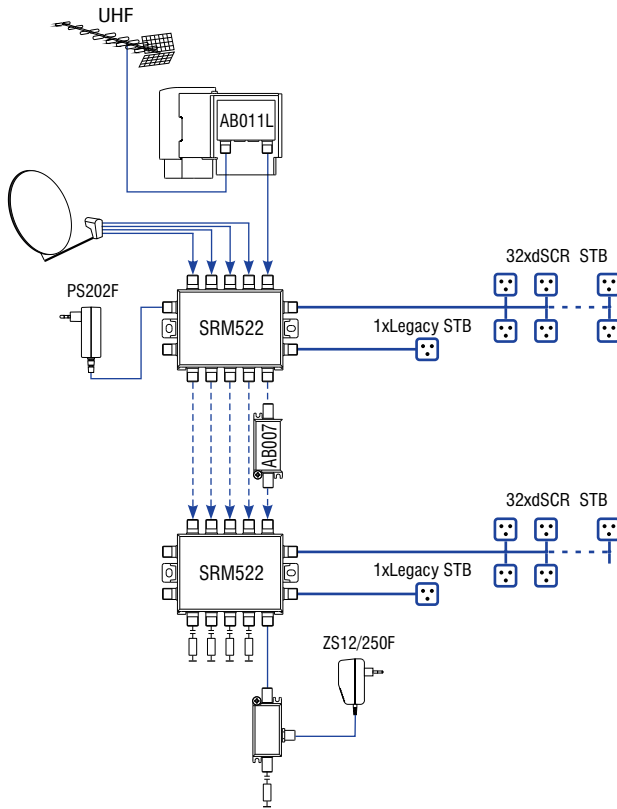




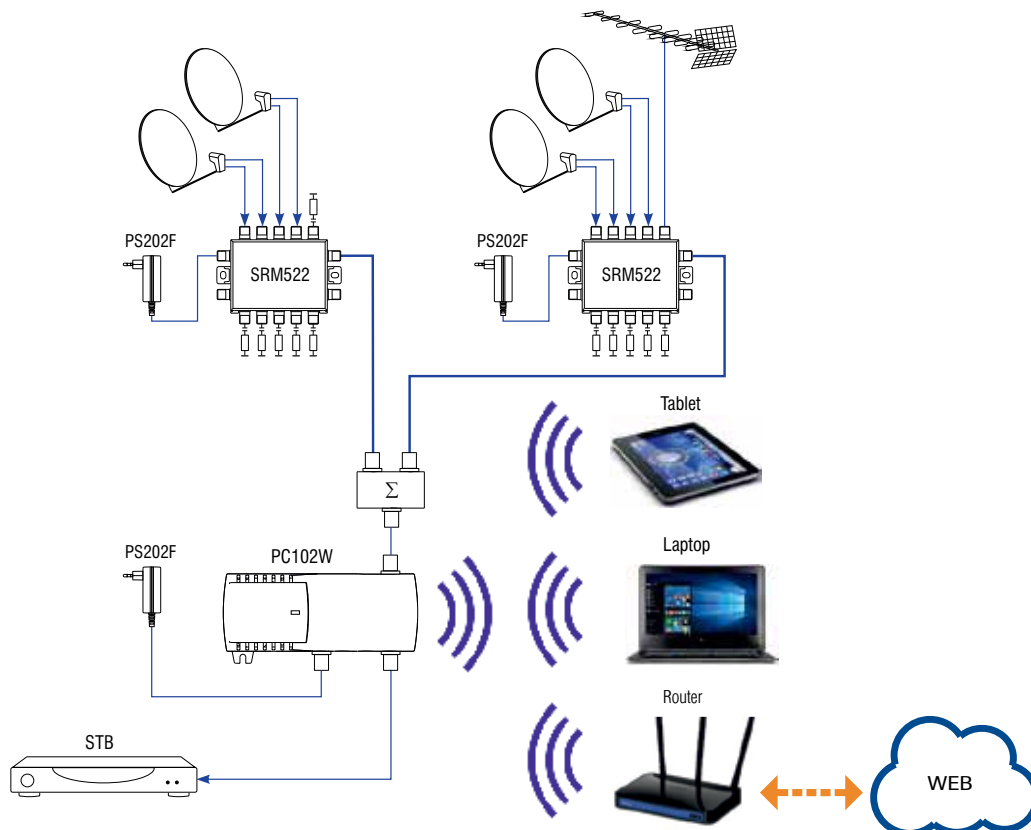
5 cable dSCR system Application diagrams

Floor by floor installation.



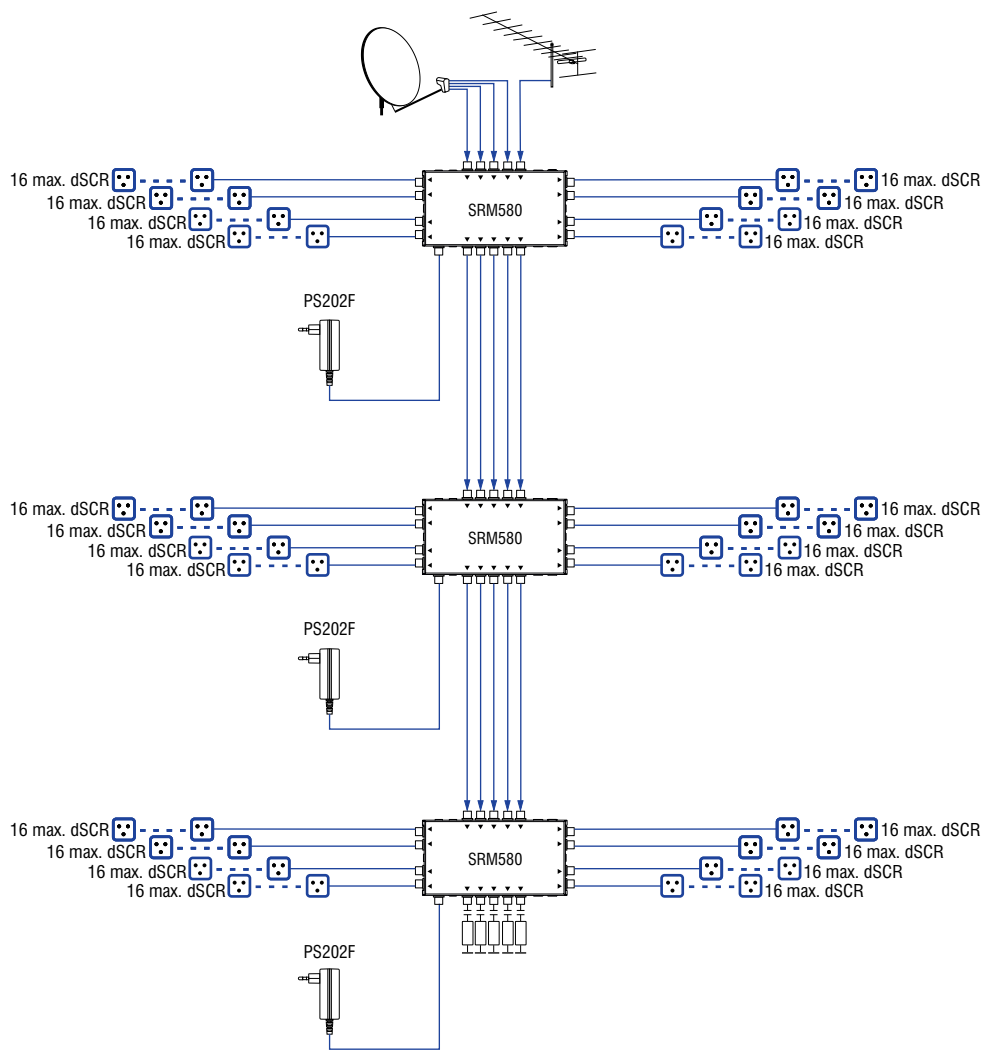
- AB011L - UHF masthead amplifier
- SRM522 - cascadable single cable multiswitch
- AB007 - line amplifier
- PC102W - multiswitch programmer,
- PS202F - power supply
- ZS12/250F - power supply

Programming and configuration mode.



5 cable dSCR system Application diagram

Installation example of SAT IF & DTT signal distribution to dSCR STBs.
Every multiswitch powered from dedicated power supply.

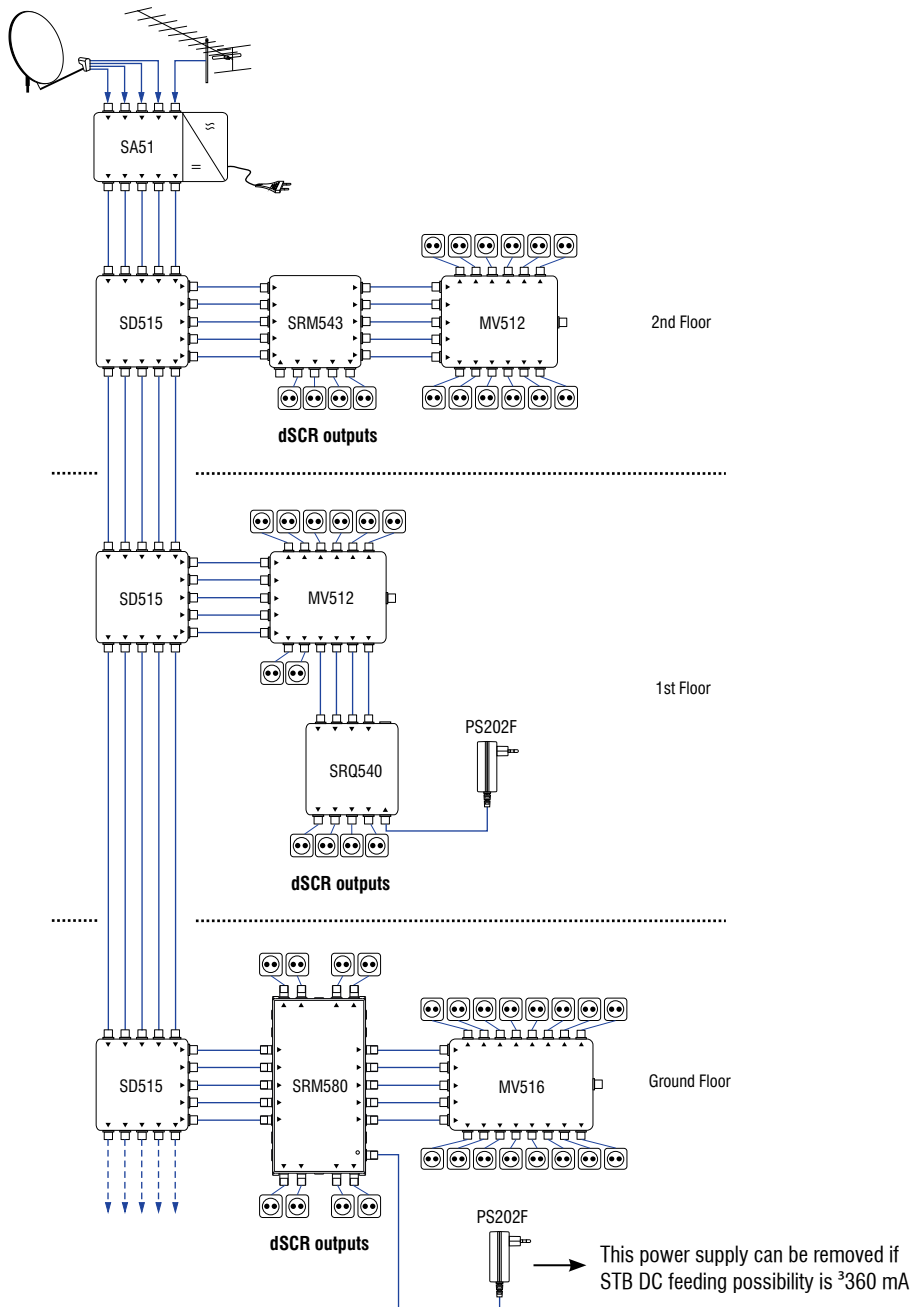


SRM580 - cascadable single cable dSCR multiswitch
PS202F - power supply



5 cable dSCR system Application diagram

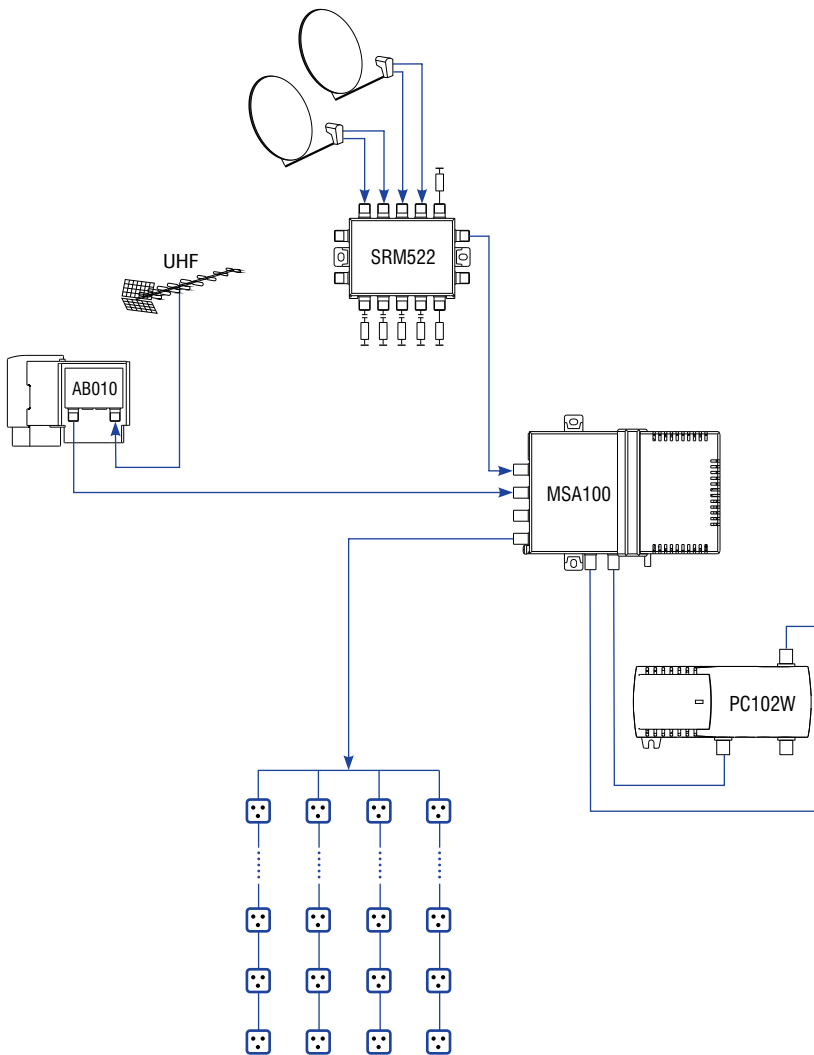
Installation example of upgrade legacy 5 cable distribution network by dSCR multiswitches.



- SA51** - launch amplifier
- SD515** - 1 way 15 dB tap
- SRM543** - cascadable single cable multiswitch
- SRQ540** - single cable adaptor/multiswitch
- SRM580** - cascadable single cable multiswitch
- MV512** - 5x12 multiswitch
- MV516** - 5x16 multiswitch
- PS202F** - power supply

5 cable dSCR system Application diagram

Installation example of SAT IF and DTT signal distribution.
SRM522 multiswitch is operating at static mode.



- SRM522** - cascadable single cable multiswitch
- MSA100** - splitband amplifier
- PC102W** - multiswitch programmer
- AB010** - UHF band amplifier