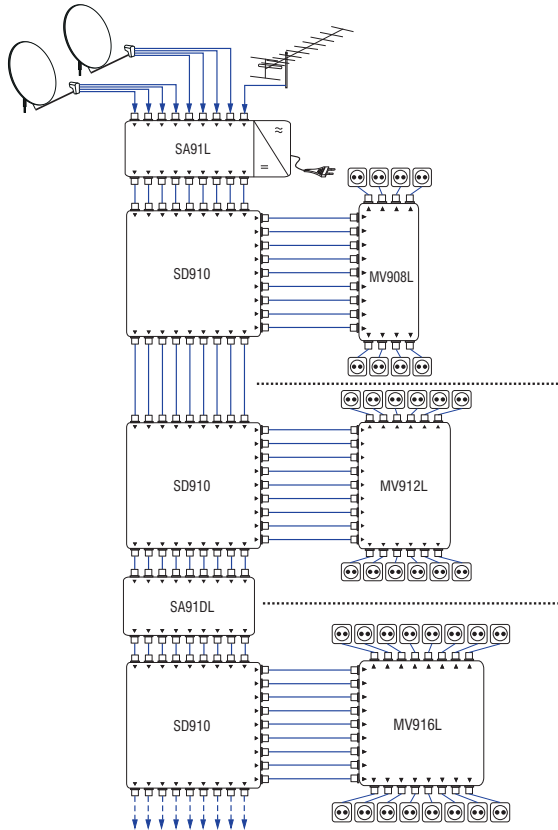


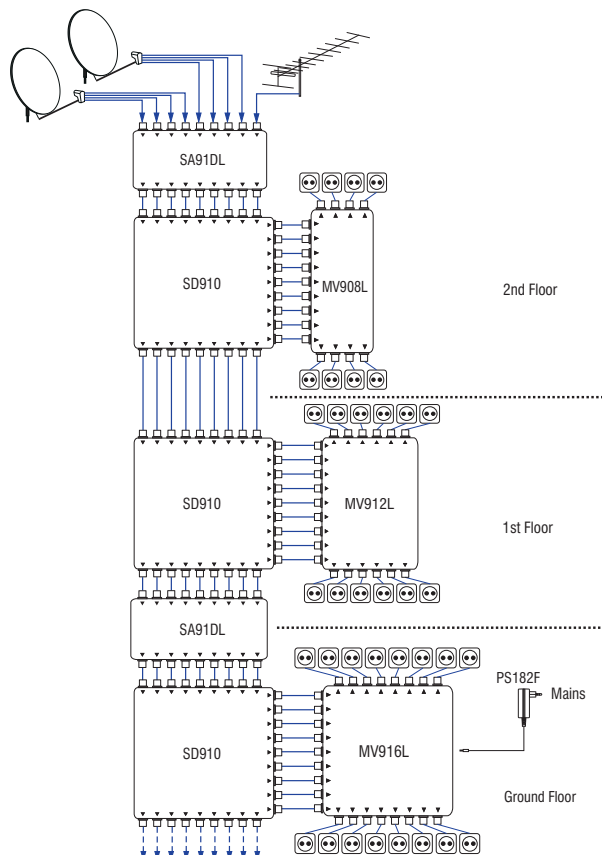


9 cable system Application diagrams

Floor by floor installation powered from SA91L.



Floor by floor installation powered from external power supply on ground level.

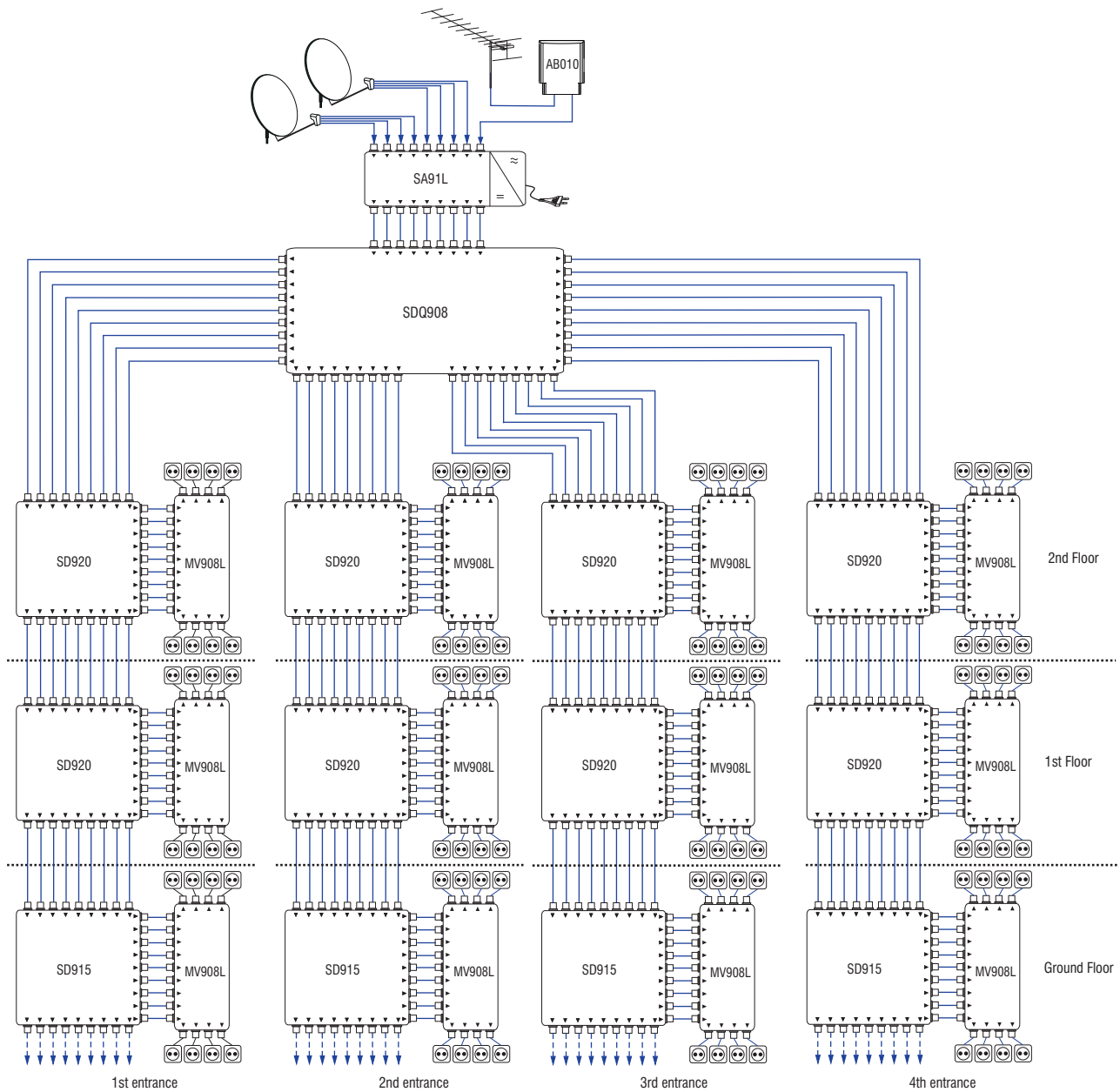


- MV908L - 9x8 multiswitch
- MV912L - 9x12 multiswitch
- MV916L - 9x16 multiswitch
- PS182F - power supply
- SA91L - launch amplifier
- SA91DL - line amplifier
- SD910 - 1 way 10 dB tap



9 cable system Application diagrams

Four entrances house, 2 floors house installation. Whole system powered from SA91L.

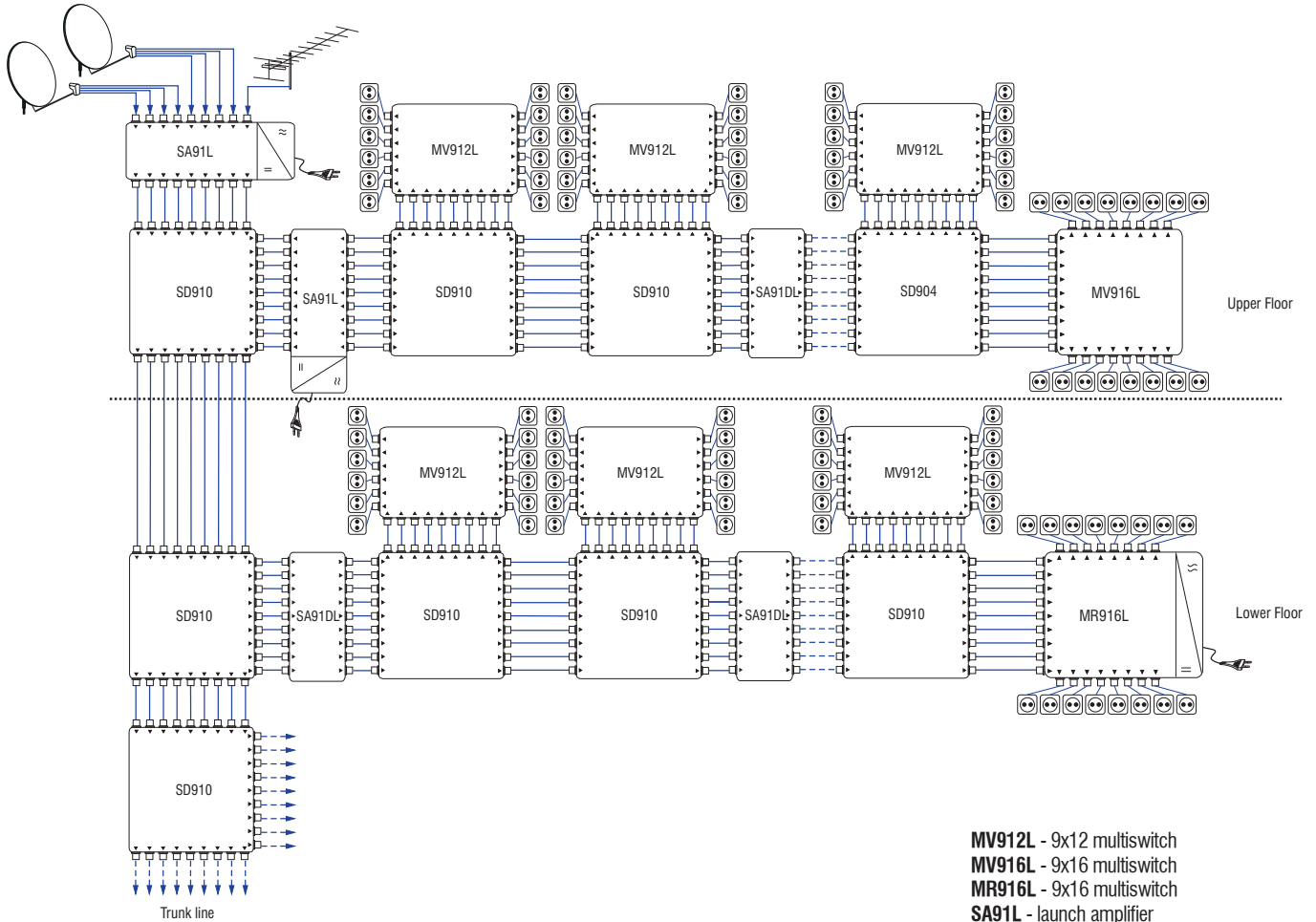


- AB010** - UHF masthead amplifier
- MV908L** - 9x8 multiswitch
- SA91L** - launch amplifier
- SD915** - 1 way 15 dB tap
- SD920** - 1 way 20 dB tap
- SDQ908** - 4 way splitter



9 cable system Application diagrams

Long coridor house installation. Trunk line powered from SA91L.
Upper coridor line powered from SA91L. Lower coridor line powered from MR916L.



- MV912L - 9x12 multiswitch
- MV916L - 9x16 multiswitch
- MR916L - 9x16 multiswitch
- SA91L - launch amplifier
- SD904 - 2 way splitter
- SD910 - 1 way 10 dB tap