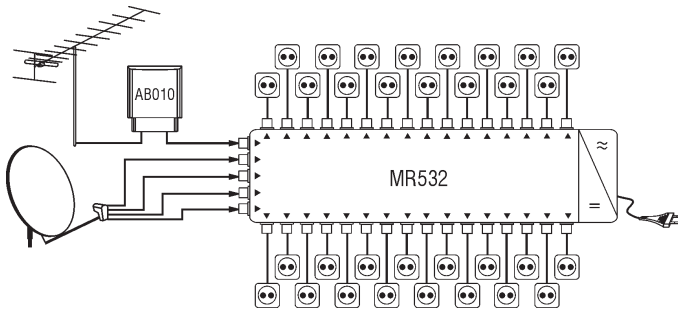


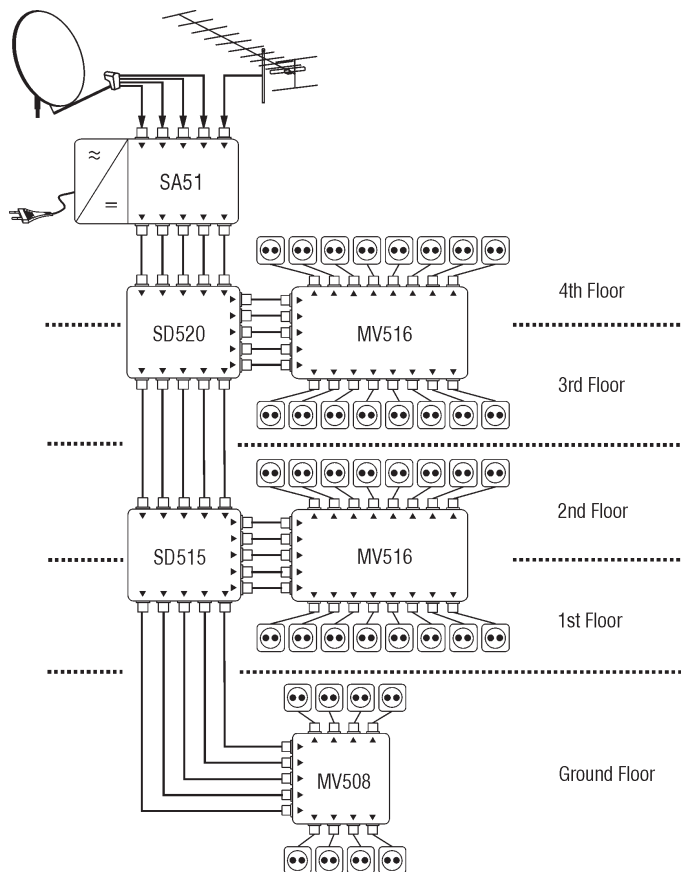


5 cable system Application diagrams

Radial installation for 32 subscribers.



Installation of single multiswitch for two floors. 8 subscribers on every floor.

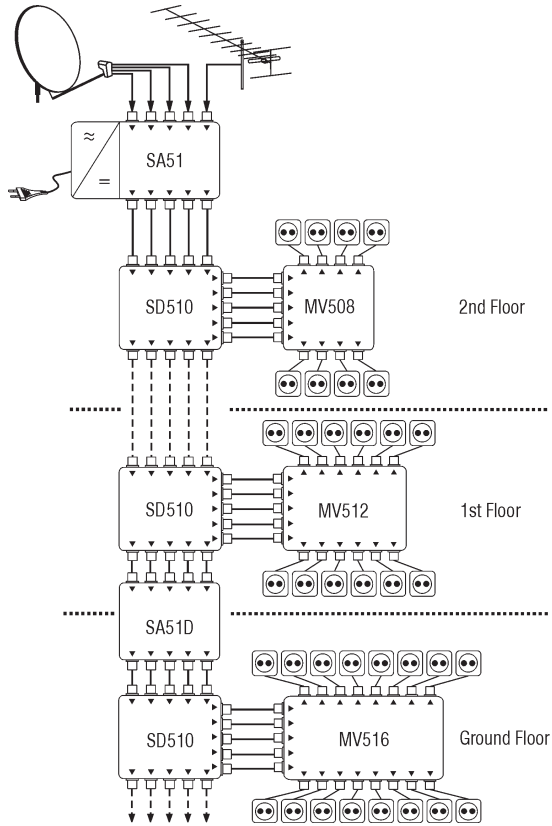


- AB010** - fixed gain UHF masthead amplifier
- MR532** - 5x32 multiswitch
- MV508** - 5x8 multiswitch
- MV516** - 5x16 multiswitch
- SA51** - launch amplifier
- SD515** - 1 way 15 dB tap
- SD520** - 1 way 20 dB tap

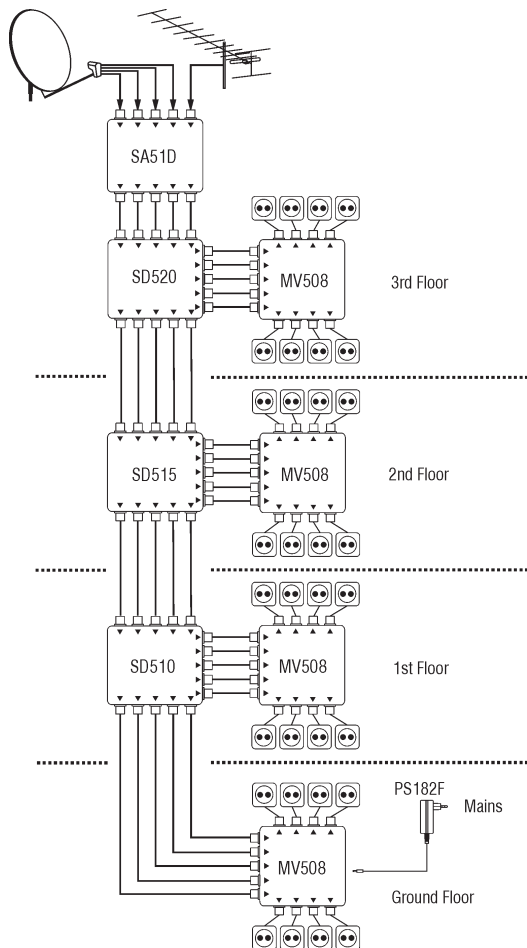


5 cable system Application diagrams

Floor by floor installation powered from SA51.



Floor by floor installation powered from external power supply on ground level.



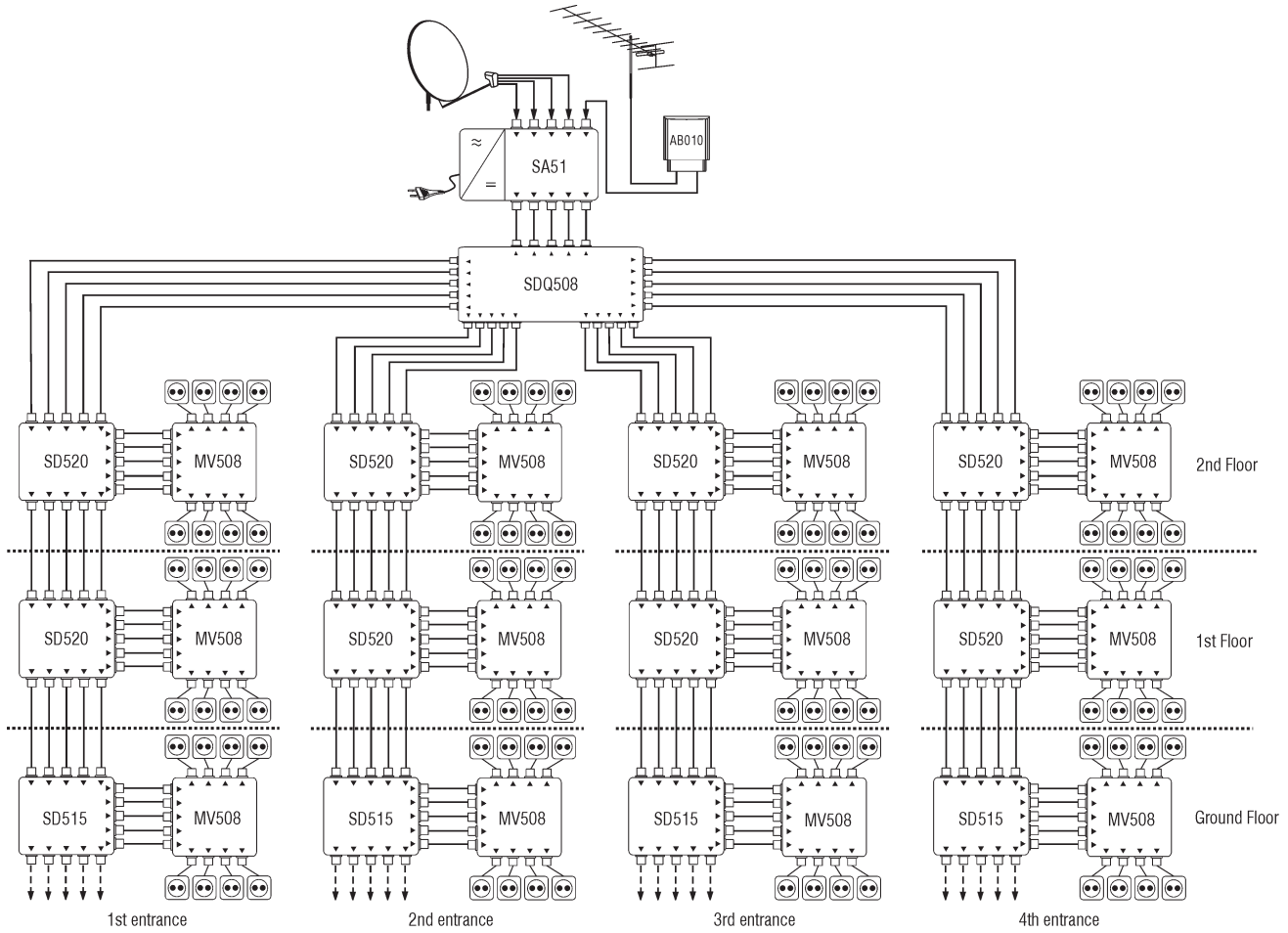
- MV508** - 5x8 multiswitch
- MV512** - 5x12 multiswitch
- MV516** - 5x16 multiswitch
- PS182F** - power supply
- SA51** - launch amplifier
- SA51D** - line amplifier
- SD510** - 1 way 10 dB tap
- SD515** - 1 way 15 dB tap
- SD520** - 1 way 20 dB tap



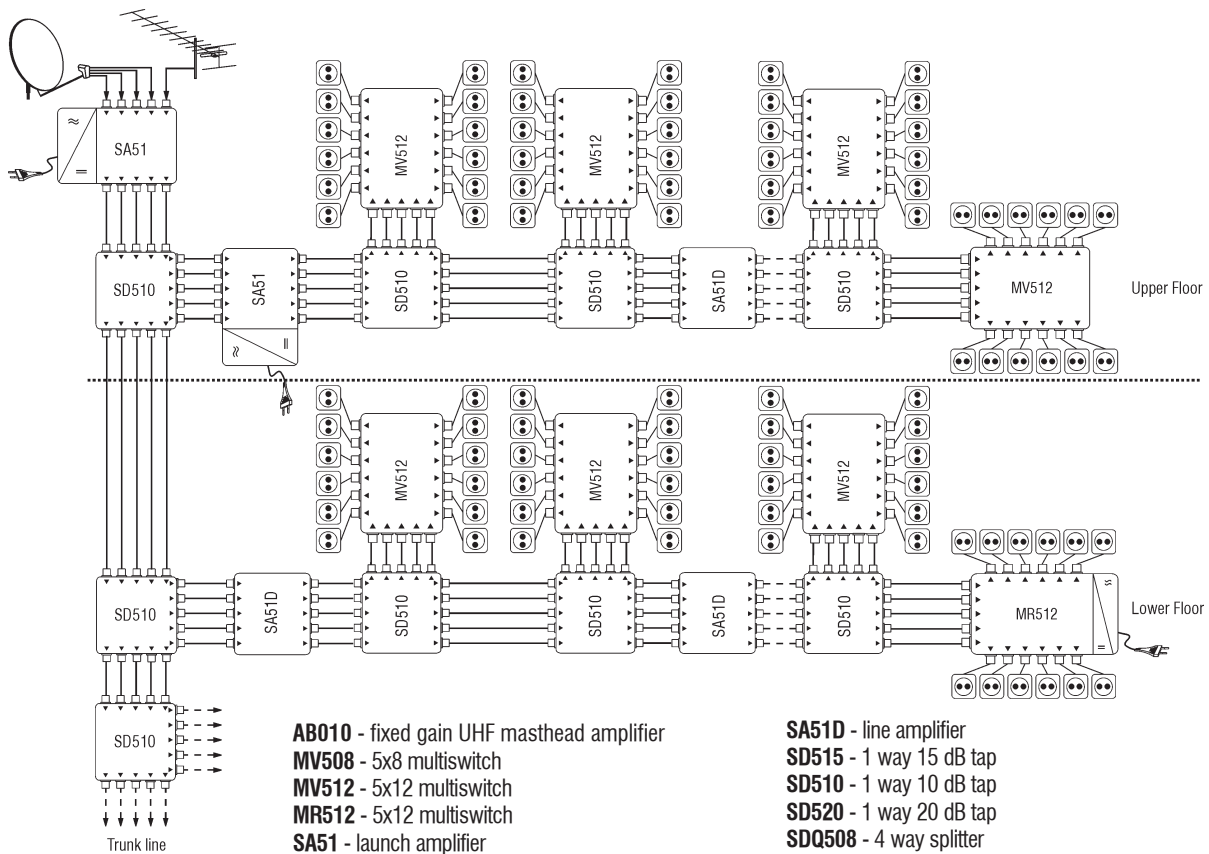
5 cable system

Application diagrams

Four entrances house, 2 floors house installation. Whole system powered from SA51.



Long corridor house installation. Trunk line powered from SA51.
Upper corridor line powered from SA51. Lower corridor line powered from MR512.



- AB010 - fixed gain UHF masthead amplifier
- MV508 - 5x8 multiswitch
- MV512 - 5x12 multiswitch
- MR512 - 5x12 multiswitch
- SA51 - launch amplifier

- SA51D - line amplifier
- SD515 - 1 way 15 dB tap
- SD510 - 1 way 10 dB tap
- SD520 - 1 way 20 dB tap
- SDQ508 - 4 way splitter